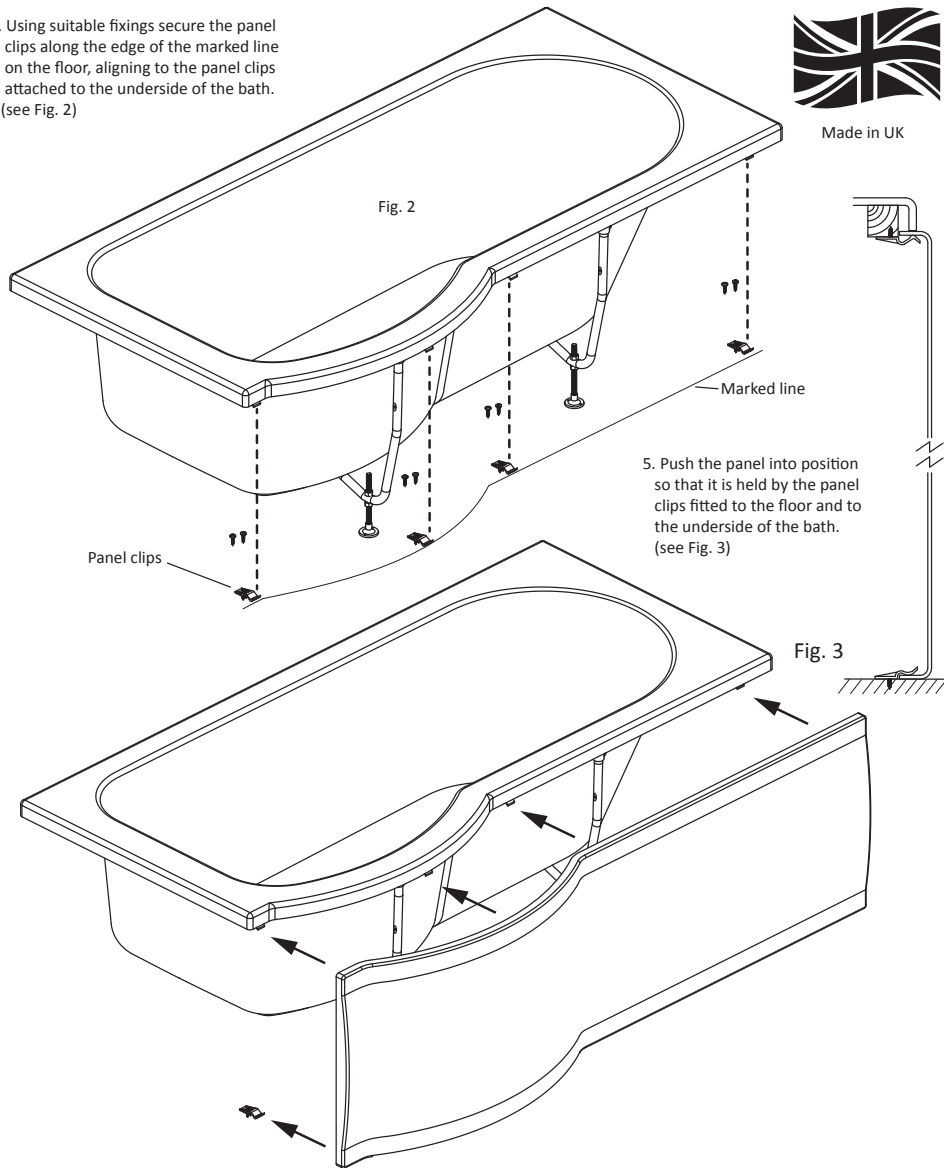


4. Using suitable fixings secure the panel clips along the edge of the marked line on the floor, aligning to the panel clips attached to the underside of the bath. (see Fig. 2)



Made in UK



5. Push the panel into position so that it is held by the panel clips fitted to the floor and to the underside of the bath. (see Fig. 3)

**Care & Use:**

- Clean using warm soapy water only. Do not use scourers, abrasives or chemical cleaners.

**Please Note:**

- Baths should be set at supplied panel height.

1020  
V1/280617

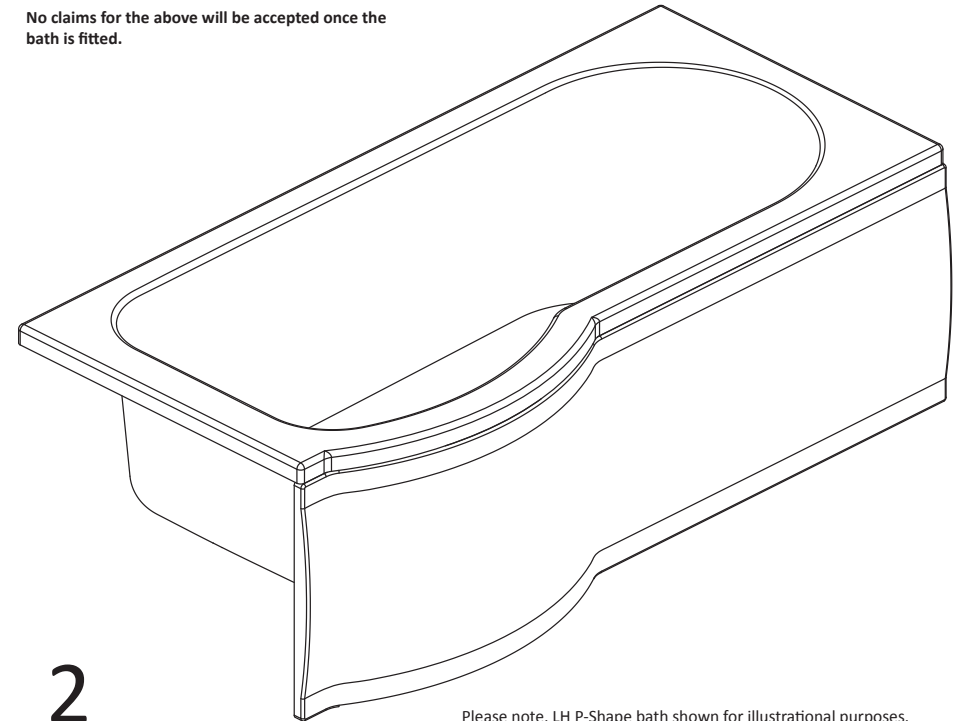
**Quality Bath Panels**

Manufactured in the UK

**Shaped Bath Panel  
Installation Instructions**

- Read through the instruction booklet first before commencing any work. If you are unsure of any aspect of the installation, we recommend you contact a reputable tradesperson.
- Prior to fitting your panel, carefully remove all the packaging and film from the panel and examine the panel for damage and suitability of colour match.
- Check the panel fit and match prior to installation.
- Any refixing costs or claims for wrong colour match and/or any other fault will not be accepted after fixing.

**No claims for the above will be accepted once the bath is fitted.**



Please note, LH P-Shape bath shown for illustrational purposes.

**2**  
Year  
Guarantee

## Shaped Bath Panel Installation Instructions

### Before you start

- Before fixing remove ALL protective covering and examine carefully. The polythene film must be removed in full and the panel checked for any visible damage.
- Unpack and check the product is complete and undamaged.
- Have the correct tools available.
- Please notify the retailer immediately of any damage or faults. The manufacturer cannot be held responsible for any installation costs that may arise from damaged or faulty product being installed. The guarantee does not cover impact related damage. Please dispose of all packaging with due regard to the environment.

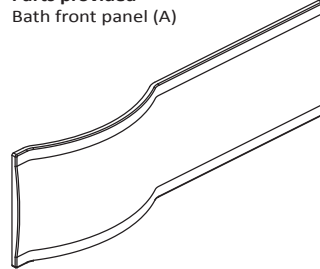
**Please note:** Read the installation instruction first. Although these instructions are comprehensive, it is always recommended that a technically competent installer should undertake installation.

### Safety

- Handle the panel with care.
- Should the cutting of panels be necessary (due to water pipes or skirting boards) a small fine toothed saw or sharp knife is recommended.
- When drilling walls or floors, check first for hidden pipes and cables.
- Use safety eyewear when drilling.
- Keep small parts away from children.

### Parts provided

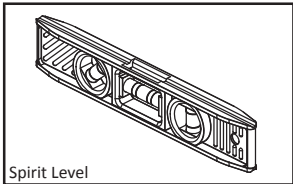
Bath front panel (A)



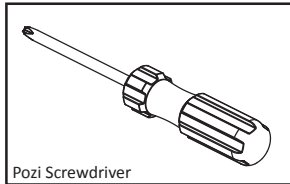
### Parts Required (not supplied)

Suitable fixings for the panel clips to the floor.

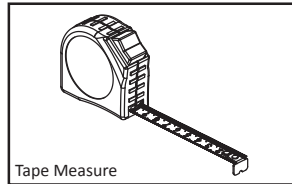
### Tools required



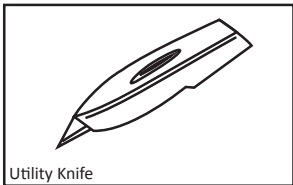
Spirit Level



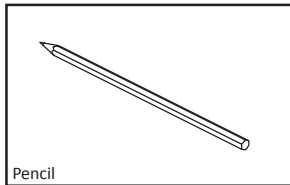
Pozzi Screwdriver



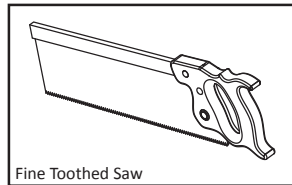
Tape Measure



Utility Knife



Pencil

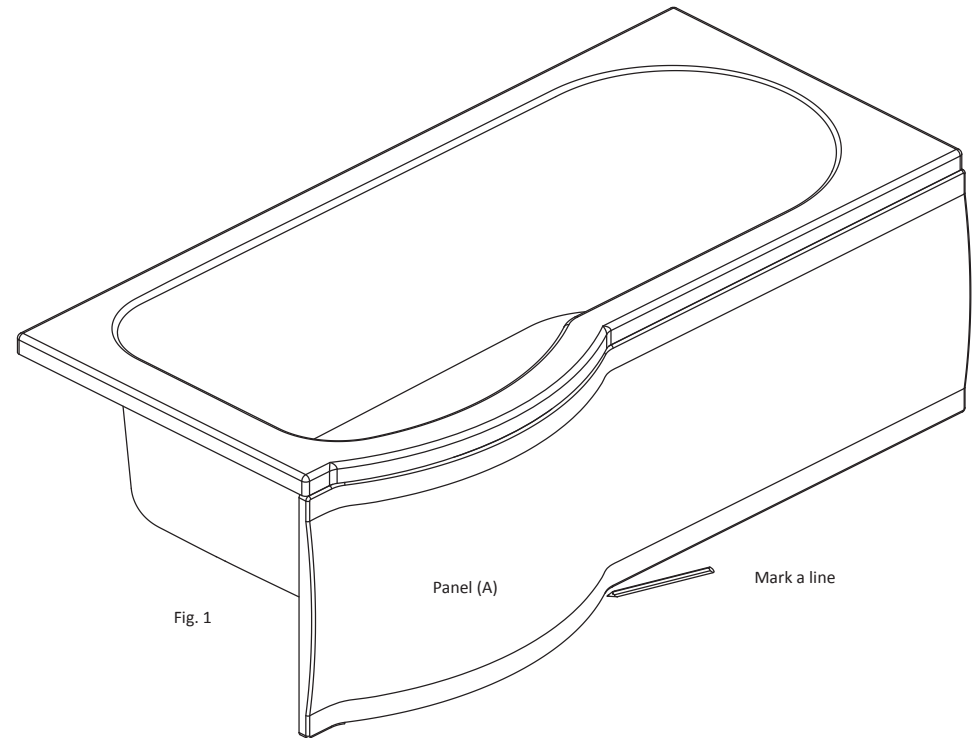


Fine Toothed Saw

\*Tools shown not supplied

- We have taken great care to ensure that this product reaches you in perfect condition. However should any parts be damaged or missing please contact your point of purchase. This does not affect your statutory rights. In addition if you require replacement parts your point of purchase will be happy to assist.

### Assembly



1. Place the bath panel into position.  
(See Fig. 1)

2. Ensure that the panel is vertical using a spirit level.

Note - If fitting both the end and front panel check that the end panel is located behind the front panel at the corner joint.

3. Mark a line on the floor along the length of the panel then remove the panel.  
(See Fig. 1)